

BADUJET Vogue

Attractive design unit for discerning customers.
Red Dot award winning aesthetics with stainless steel cover.

Field of application

For mounting into walls of all pool models as a conversation piece, for fitness training, as a wave or bubble bath, for underwater massages (consult physician), for endless, no-turn swimming even in the smallest pool.

Design

A powerful jet pump is connected via suction and pressure lines with the plastic jet housing which is flush-mounted into the pool wall. The BADU pump draws the water in and returns it to the swimming pool with a powerful stream via an adjustable nozzle which swivels 60° in each direction. The large number of openings around the nozzle housing guarantees an extremely low priming flow. The sinuous

For recommended accessories see page 150.

and homogeneous design of its cover, which is made of high quality stainless steel, is a real eye-catcher. A built-in LED lamp, which can be operated from the pool, as well as the pneumatic switch and the regulation of the air bubble bath, add to a relaxed atmosphere. The pump and the LED light can be switched off automatically via the integrated timer. On delivery, this is always set to 15 minutes operating time.

Materials used

Cover	stainless steel
Main housing	ABS
Nozzle housing	ABS
Interior parts	ABS/stainless steel
Suction/pressure line	PVC
Ball valves and fittings	PVC

Technical data at 50 Hz	BADUJET Vogue	21-60/45 GT 27°	21-60/44 GT 27°
Pump flow rate (m ³ /h)	3~/1~	58	54
Voltage	3~/1~	3 N~ 400/230 V	1~ 230 V
Power input P ₁ /output P ₂ ¹⁾ (kW)	3~/1~	3.18/2.60	2.89/2.20
Number of nozzles (Ø 40 mm)		1	1
Flow pressure at nozzle (bar)	3~/1~	1.10	1.00
Flow velocity in centre 2 m from the nozzle (m/s)	3~/1~	1.20	1.10
Massage pressure (bar) max.	3~/1~	1.60	1.40
Multi-directional swivel nozzle (degrees)		60	60
Net weight (kg)	3~/1~	33.00	33.50

For more detailed information regarding the motor protection please see page 167.

Article no	Description	Variation	Voltage	Power output P ₂
232.1100.000	BADUJET Vogue ⁶⁾	Pre-assembly kit		
232.2400.000	BADUJET Vogue ⁶⁾ - white LED	Final assembly kit	1~ 230 V	2.20 kW
232.2420.000	BADUJET Vogue ⁶⁾ - multicoloured LED	Final assembly kit	1~ 230 V	2.20 kW
232.2200.000	BADUJET Vogue ⁶⁾ - white LED	Final assembly kit	3 N~ 400/230 V	2.60 kW
232.2220.000	BADUJET Vogue ⁶⁾ - multicoloured LED	Final assembly kit	3 N~ 400/230 V	2.60 kW
232.1300.001	Ball valve kit			
232.2000.402	Stainless steel hand rail for BADUJET Vogue, complete ⁶⁾			

When ordering a complete unit please indicate the article number of the pre-assembly kit and the final assembly kit.



With stainless steel cover >

Optional stainless steel hand rail >



Scan the QR code for the BADUJET counter swim units application video...



Scope of supply

Pre-assembly kit

- Plastic housing
- Clamping ring, screws and seals

Final assembly kit

- Complete nozzle housing with a swivelling nozzle and screws
- Stainless steel cover
- 63 mm suction/pressure line
- Switching device
- BADU 21-60/45 GT 27° or BADU 21-60/44 GT 27°

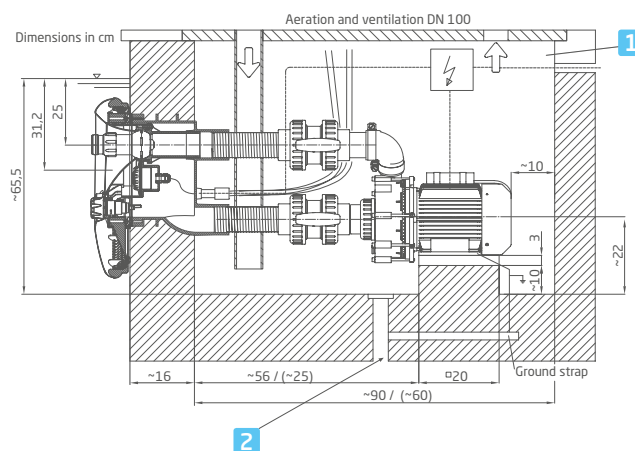
Note

If you use longer suction and pressure lines, please make sure they are wide enough in order to avoid power loss - see page 166.

Dimensions

Detailed dimensions available on request or at badu.de

Recommended installation example



Sufficiently dimensioned drain required

Dimensions in brackets - version without ball valves

1 Shaft width min. 70 cm

2 Floor drainage