

BADUJET Primavera

Innovative technology for ambitious swimmers.
With optimum performance.

Field of application

For mounting into walls of all pool models as a conversation piece, for fitness training, as a wave or bubble bath, for underwater massages (consult physician), for endless, no-turn swimming even in the smallest pool.

Design

A powerful jet pump is connected via suction and pressure lines with the plastic jet housing which is flush-mounted into the pool wall. The BADU pump draws the water in and returns it to the swimming pool with a powerful stream via two adjustable nozzles which swivel 60° in each direction. The large number of openings around the nozzle housing guarantees an extremely low priming flow. The sinuous

For recommended accessories see page 150.

and homogeneous design of its cover, which is made of high quality stainless steel, is a real eye-catcher. The pneumatic on/off switch and the regulation for the air-intake, which gives the sparkling bubble bath effect, are both integrated in the nozzle housing. The pump and the LED light can be switched off automatically via the integrated timer. On delivery, this is always set to 15 minutes operating time.

Materials used

Main housing	ABS
Nozzle housing	ABS
Interior parts	PP/PC/ASA
Suction/pressure line	PVC
Shut-off valve and fittings	PVC
Cover/hand rail	stainless steel

Technical data at 50 Hz	BADUJET Primavera	21-81/33 G 29°	21-81/34 G 29°
Pump flow rate (m ³ /h)	3~/1~	75	85
Voltage	3~/1~	3 N~ 400/230 V/1~ 230 V	3 N~ Δ 400 V
Power input P ₁ /output P ₂ ¹⁾ (kW)	3~/1~	3.74/3.00 / 3.90/3.00	4.55/4.00
Number of nozzles (Ø 40 mm)		2	2
Flow pressure at nozzles (bar)	3~/1~	1.00	1.00
Flow velocity in centre 2 m from the nozzles (m/s)	3~/1~	1.10	1.20
Massage pressure (bar) max.	3~/1~	1.60	1.80
Multi-directional swivel nozzles (degrees)		60	60
Net weight (kg)	3~/1~	55.00	46.00

For more detailed information regarding the motor protection please see page 167.

Article no	Description	Variation	Voltage	Power output P ₂
232.6100.000	BADUJET Primavera ⁶⁾	Pre-assembly kit		
232.7400.000	BADUJET Primavera ⁶⁾ - white LED	Final assembly kit	1~ 230 V	3.00 kW
232.7420.000	BADUJET Primavera ⁶⁾ - multicoloured LED	Final assembly kit	1~ 230 V	3.00 kW
232.7200.000	BADUJET Primavera ⁶⁾ - white LED	Final assembly kit	3 N~ 400/230 V	3.00 kW
232.7220.000	BADUJET Primavera ⁶⁾ - multicoloured LED	Final assembly kit	3 N~ 400/230 V	3.00 kW
232.7800.000	BADUJET Primavera ⁶⁾ - white LED	Final assembly kit	3 N~ Δ 400 V	4.00 kW
232.7820.000	BADUJET Primavera ⁶⁾ - multicoloured LED	Final assembly kit	3 N~ Δ 400 V	4.00 kW
232.6100.100	BADUJET Primavera additional kit for tiled pools			

When ordering a complete unit please indicate the article number of the pre-assembly kit and the final assembly kit.



With stainless steel cover >

Delivery with stainless steel hand rail and wireless control >



Scan the QR code for the BADUJET counter swim units application video...



Scope of delivery

Pre-assembly kit

- Plastic housing
- Shut-off valve
- Clamping ring, screws and seals

Final assembly kit

- Complete nozzle housing with two swivelling nozzles and screws
- Stainless steel cover and suction cover
- 75 mm suction/pressure line
- Switching device
- BADU 21-81/33 G 29° or BADU 21-81/34 G 29°
- Hand rail and waterproof BADUJET wireless control II

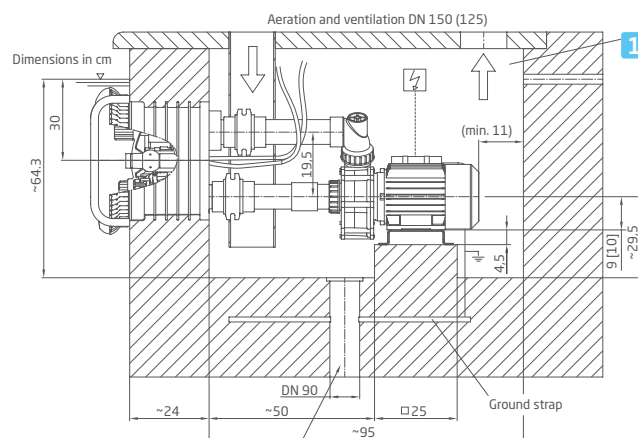
Note

If you use longer suction and pressure lines, please make sure they are wide enough in order to avoid power loss - see page 166.

Dimensions

Detailed dimensions available on request or at badu.de

Recommended installation example



1 Shaft width min. 70 cm
2 Sufficiently dimensioned drain required
Dimensions in brackets [] only for BADU 21-81/33 1~ and BADU 21-81/34 3~

- 1 Shaft width min. 70 cm
- 2 Floor drainage