

A masterpiece of ergonomics

Vega Compact

The **Harvia Vega Compact** is a true powerhouse heater for small saunas. The heater's operating switches are located near the top of the heater, making the heater easy and ergonomic to use. The Vega Compact can be installed particularly low on the sauna wall. This allows the heat to spread evenly throughout the sauna, ensuring that the lower benches also enjoy plenty of heat.

The Vega Compact is easy to install. Just install the wall rack, lift the heater onto it and secure it in place with one screw. The heater is made of stainless steel.

The Vega Compact models BC23 and BC35 are equipped with a built-in control unit.



VEGA COMPACT

-  2,3–3,5 kW
-  1,3–4,5 m³
-  12 kg

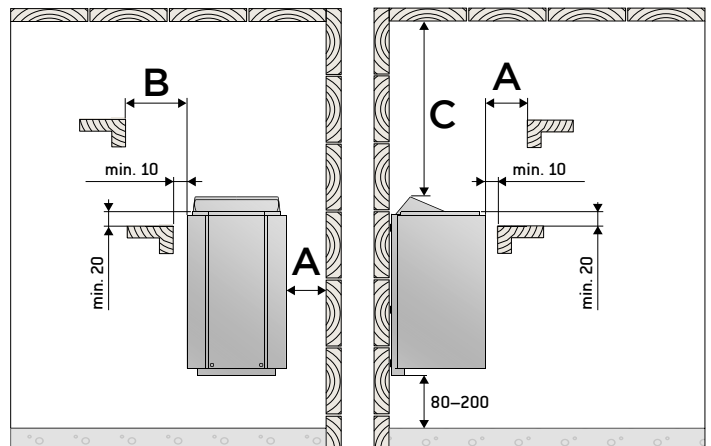
Model: BC23, BC35

Dimensions: width 280 mm, depth 295 mm, height 505 mm, weight 7 kg

TECHNICAL DATA								
Heater model	Power kW	Recommended sauna room size min.–max. m ³	Sauna room height min. mm	Stone capacity max. kg	400 V 2N-		230 V 1N-	
					Connecting cables mm ²	Fuse A	Connecting cables mm ²	Fuse A
BC23	2,3	1,3–2,5	1700	12	4 x 1,5	2 x 10	3 x 1,5	1 x 10
BC35	3,5	2–4,5	1700	12	4 x 1,5	2 x 10	3 x 2,5	1 x 16

Heater dimensions:
width 280 mm, depth 295 mm, height 505 mm, weight 7 kg

SAFETY DISTANCES			
Heater model	A min. mm	B min. mm	C min. mm
BC23	10	20	900
BC35	20	30	900



ELECTRICAL CONNECTIONS		
Power kW	Fuses A	Connecting cable H07RN-F, min. mm ²
0–6,9	3 x 10	5 x 1,5
< 7–11	3 x 16	5 x 1,5
< 11–17	3 x 25	5 x 2,5

ELECTRICAL CONNECTIONS						
Model	Power kW	Power kW group I	Power kW group II	Fuses group I (A)	Fuses group II (A)	Connecting cable H07RN-F min. mm ²
HL135	13,5	13,5	–	20	–	5 x 6
HL135	13,5	6,75	6,75	10	10	5 x 1,5
HL160	15,8	15,8	–	25	–	5 x 6
HL160	15,8	6,75	9,0	10	16	5 x 2,5
HL220	21,6	10,8	10,8	16	16	5 x 2,5

Small on the outside, big on the inside

Delta, Delta EE, Delta Combi

The **Harvia Delta** is a triangular, space-efficient heater, the design of which is based on the Greek letter delta (Δ). The stylish heater, made of shiny stainless steel, contains a generous amount of stones that give off a wonderful cloud of steam. Thanks to its design, the Delta can be placed in a corner for optimal utilisation of space. The heater is easy to mount on the separate wall rack included in the delivery. The Delta models D23 and D36 are equipped with a built-in control unit.

The **Harvia Delta EE** model is equipped with an illuminated digital control panel which makes the heater easy to use. The heater's On time can be set to anything between 2 and 8 hours, with the factory setting being 4 hours. The preset start time can be programmed to anything between 0 and 18 hours.



DELTA

DELTA EE

-  2,3–3,6 kW
-  1,3–4,5 m³
-  11 kg

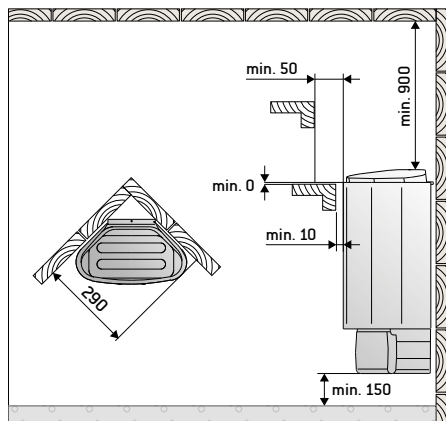
Model: D23, D36, D23EE, D29EE, D36EE, D29SE

Dimensions: width 340 mm, depth 200 mm, height 635 mm, weight 8 kg

TECHNICAL DATA								
Heater model	Power kW	Recommended sauna room size min.-max. m ³	Sauna room height min. mm	Stone capacity max. kg	400 V 2N-		230 V 1 N-	
					Connecting cables mm ²	Fuse A	Connecting cables mm ²	Fuse A
D23	2,3	1,3-2,5	1700	11	4 x 1,5	2 x 10	3 x 1,5	1 x 10
D36	3,6	2-4,5	1700	11	4 x 1,5	2 x 10	3 x 2,5	1 x 16
D23EE	2,3	1,3-2,5	1700	11	4 x 1,5	2 x 10	3 x 1,5	1 x 10
D29EE	2,9	2-4	1700	11	4 x 1,5	2 x 10	3 x 2,5	1 x 13
D36EE	3,6	2-4,5	1700	11	4 x 1,5	2 x 10	3 x 1,5	1 x 16
D29SE	2,9	1,5-4	1700	11	-	-	3 x 2,5	1 x 13 (1x16)

Heater dimensions: width 340 mm, depth 200 mm, height 635 mm, weight 8 kg

SAFETY DISTANCES



Modern convenience

Vega



VEGA

Modern convenience

Vega

The **Harvia Vega** is a modern and easy-to-use heater by the world's largest sauna heater manufacturer. The stainless steel outer casing of Vega is durable and creates a modern look for your sauna. The operating switches are placed ergonomically on the side of the heater, near the top, and thanks to the symmetric shape of the heater, the switches can be placed on either side.

- ⚡ 4,5–8,0 kW
- 📦 3–12 m³
- 🍲 20 kg

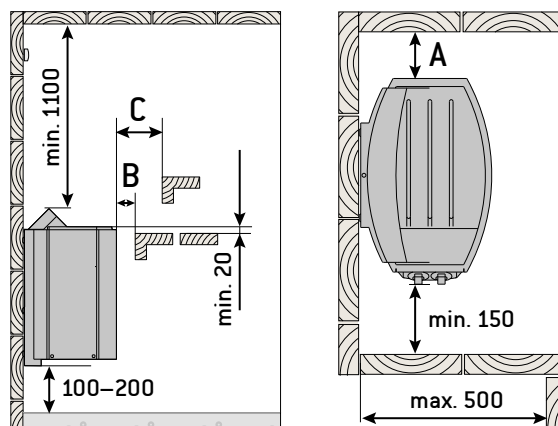
Model: BC45, BC60, BC80

Dimensions: width 480 mm, depth 310 mm, height 540 mm, weight 11 kg

TECHNICAL DATA						
Heater model	Power kW	Recommended sauna room size min.-max. m ³	Sauna room height min. mm	Stone capacity max. kg	400 V 3N-	
					Connecting cables mm ²	Fuse A
BC45	4,5	3-6	1900	20	5 x 1,5	3 x 10
BC60	6,0	5-8	1900	20	5 x 1,5	3 x 10
BC80	8,0	7-12	1900	20	5 x 2,5	3 x 16

Heater dimensions: width 480 mm, depth 310 mm, height 540 mm, weight 11 kg

SAFETY DISTANCES			
Heater model	A min. mm	B min. mm	C min. mm
BC45	35	20	35
BC60	50	30	50
BC80	100	30	80



Pillar heater – a top-class steam giver

Cilindro

The range of Harvia Cilindro sauna heaters offers a great selection of affordable pillar heaters for family saunas. You can choose a sauna heater with or without an outer casing, with a built-in or separate control panel, and in black or white. The large number of sauna stones ensures an enjoyable sauna experience with all these options.

The **Harvia Cilindro** electric heater contains a massive amount of stones. Thanks to the grate-like outer shell, each user can adjust the nature of the steam: soft when throwing water onto the side of the heater and sharp when throwing water straight on top of the stone pillar. The Cilindro is impressive to both look at and experience. The operating switches are located near the bottom of the heater. Cilindro heaters equipped with a separate control panel are marked with the code EE. The code E, on the other hand, refers to sauna heater models controlled by a separate control unit.



CILINDRO

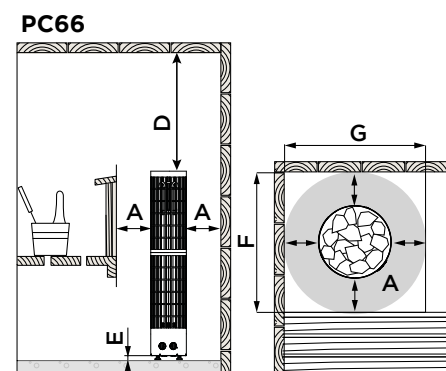
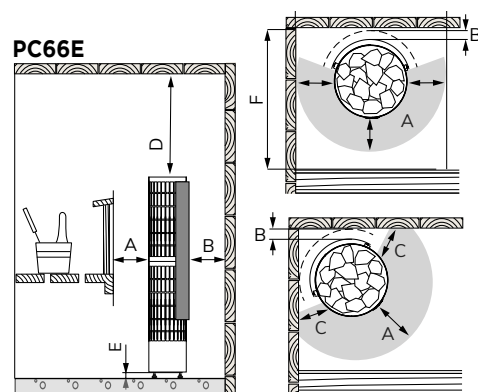
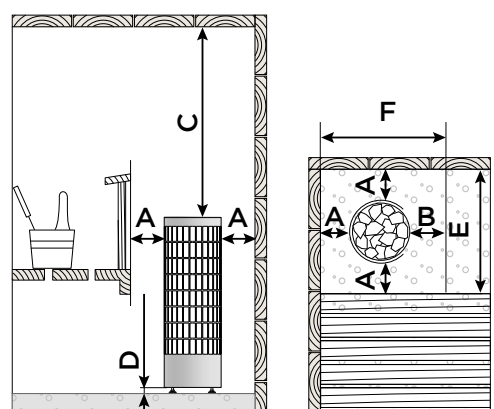
TECHNICAL DATA						
Heater model	Power kW	Recommended sauna room size min.-max. m ²	Sauna room height min. mm	Stone capacity max. kg	400 V 3N-	
					Connecting cables mm ²	Fuse A
PC 66/E	6,6	5-9	1900	75	5 x 1,5	3 x 10
PC70/F	6,8	6-10	1900	80	5 x 1,5	3 x 10
PC70E/HE	6,8	6-10	1900	90	5 x 1,5	3 x 10
PC90/H/F	9,0	8-14	1900, F:2100	80	5 x 2,5	3 x 16
PC90E/HE	9,0	8-14	1900	90	5 x 2,5	3 x 16
PC1100EE/HE	10,8	9-18	1900	120	5 x 2,5	3 x 16
PC110HEE/HE	10,8	9-18	1900	120	5 x 2,5	3 x 16

SAFETY DISTANCES						
Heater model	A min. mm	B min. mm	C min. mm	D min. mm	E min. mm	F min. mm
PC70E/EE	100	100	950	30	520	520
PC70H/HE/HEE	30	100	950	30	420	470
PC70F	30	30	950	30	420	420
PC90E/EE	100	100	950	30	520	520
PC90H/HE/HEE	30	100	950	30	420	470
PC90F	30	30	1150	30	420	420
PC1100EE/E	100	100	830	30	565	565
PC110HEE/HE	30	100	830	30	455	510

SAFETY DISTANCES PC 66/66E								
Heater model	A min. mm	B min. mm	C min. mm	D min. mm	E 3N-min. mm	E 1N-min. mm	F min. mm	G min. mm
PC66	100	-	-	540	30	50	455	455
PC66E	100	30	60	540	30	50	405	405

Heater dimensions:

- Cilindro/E/EE: width 320 mm, depth 320 mm, height 930 mm, weight 10 kg
- Cilindro 66/66E: width 255 mm, depth 255 mm, height 1340 mm, weight 11 kg
- Cilindro H/HE/HEE: width 360 mm, depth 340 mm, height 930 mm, weight 17 kg
- Cilindro F: width 360 mm, depth 360 mm, height 930 mm, weight 17 kg
- Cilindro 110EE: width 365 mm, depth 365 mm, height 1070 mm, weight 13 kg
- Cilindro 110HEE/VHEE: width 395 mm, depth 380 mm, height 1070 mm, weight 17 kg



Easy-to-use wall-mounted heater

The Wall

Despite its output of up to 9 kW, **The Wall** requires only little space inside the sauna. This heater was created with a focus on functionality. Illuminated switches, durable construction and ease of installation make **The Wall** a great product. The total package is both compact and stylish.

The illuminated operating switches are visible and simple to use even in dim saunas. **The Wall's** structures and material are strong and durable. Its heating elements have their own support structure to protect them, preventing them from twisting and thus extending their lifespan. Components that are exposed to heat and moisture are located at the bottom of the stove. The heating element's structure is designed to withstand prolonged, efficient heating.

The unique Harvia mounting/wall rack included in the scope of delivery determines the minimum safety distance between the heater and the floor. Installation of the heater is quick and easy.

-  4,5–9 kW
-  3–14 m³
-  20 kg

Model: SW45, SW60, SW80, SW90

Dimensions:

SW45 /SW60 width 430 mm, depth 260 mm, height 610 mm, weight 11/12 kg
 SW80 width 430 mm, depth 260 mm, height 700 mm, weight 14 kg
 SW90 width 430 mm, depth 260 mm, height 700 mm, weight 15 kg



THE WALL

TECHNICAL DATA						
Heater model	Power kW	Dimensions width x depth x height mm	Weight kg	Stone capacity max. kg	Recommended sauna room size min.-max. m ²	Sauna room height min. mm
SW45 / SW45E	4,5	430 x 260 x 610	11	20	3-6	1900
SW60 / SW60E	6,0	430 x 260 x 610	12	20	5-8	1900
SW80	8,0	430 x 260 x 700	14	20	7-12	1900
SW90/SW90E	9,0	430 x 260 x 700	15/11	20	8-14	1900

SAFETY DISTANCES					
Heater model	A	B	C	D	E
SW45/SW45E	20	35	35	80	1200
SW60	30	40	40	80	1200
SW60E	30	40	50	80	1200
SW80	30	70	70	80	1200
SW90	30	70	80	80	1200
SW90E	30	80	80	80	1200

MIN. SPACE REQUIREMENT			
Heater model	C + X + C	Y + A	Height min.
SW45	500	280	1900
SW60	510	290	1900
SW80	570	290	1900
SW90	590	290	1900
SW45E	450	280	1900
SW60E	480	290	1900
SW90E	540	290	1900

